



## 58BW ST STEEL REPLACEMENT WINDOW SYSTEM

The 58BW ST window system provides an ideal solution for the replacement of existing steel windows. The system is available in a range of styles and can be top, bottom or side hung to meet the needs of your project. The design replicates the narrow sight lines associated with steel windows whilst providing superior performance and security.

### DESIGN FEATURES

- Slim sightlines to match existing steel windows
- Internally beaded for ease of site glazing on high-rise applications
- Unique polyamide thermal break design to improve performance
- Integrated deep head profiles for ease of trickle ventilation
- Accommodates standard hardware including friction stays and shoot bolt locking
- Certified under the Secured by Design scheme

### OPTIONS

- Accommodates 24mm - 28mm glazing units for thermal and acoustic performance
- Double beaded option allows internal glazing without the use of dummy vents
- Dedicated fixing straps for ease of installation
- Full range of customisable hardware available
- Available in single or dual colour option, polyester powder coating and anodised finishes

### CONFIGURATIONS

- Top, Bottom or Side Hung
- Outward Opening
- Fixed Lights



## 58BW ST STEEL REPLACEMENT WINDOW SYSTEM TECHNICAL SPECIFICATIONS

Designed to replace and complement existing steel windows, the 58BW ST window range has been developed to retro fit mansion blocks, warehouses and similar buildings where steel windows have been traditionally fitted. They are available in a wide

range of standard colours as well as any RAL colour and include hardware that is sympathetic to the traditional steel window designs. Anodised finishes are also available with marine grade guarantees on request.

SPECIFICATIONS	
<b>Performance &amp; Accreditation</b>	
U-Value (Double Glazing)*	1.4W/m²K
Uf-Value (Triple Glazing)**	--
Window Energy Rating (WER)	A - B
Green Guide Rating	A+ - A Rated
Acoustic Performance (dB)	npd
Air Tightness (Pa)	Class 4
Water Tightness (Pa)	Class 9a
Wind Load (Pa)	Class E2400
Security	Kitemarked to PAS 24
Secured By Design	Yes
<b>Configurations</b>	
Opening	Open Out
Top Hung	●
Side Hung	●
Bottom Hung	●
Fixed Light	●
Multilight	●
Tilt & Turn	--
Life Time Homes (LTH)	--
Tilt & Slide	--
Top swing	--
Side Swing	--
<b>Size Limits</b>	
Max Vent Weight	--
Top Hung	50 Kg
Side Hung	24 Kg
Bottom Hung	60 Kg (3 Hinges)
Fixed Light	250 Kg
Tilt & Turn	--
Life Time Homes (LTH)	--
Tilt & Slide	--
Top swing	--
Side Swing	--
<b>System Features</b>	
Frame Options	58mm
Dual Colour Option	●
Multi-Point Locking	●
Glazing Options	Internal
Glazing Thickness	24mm - 28mm



Flat Line Vent

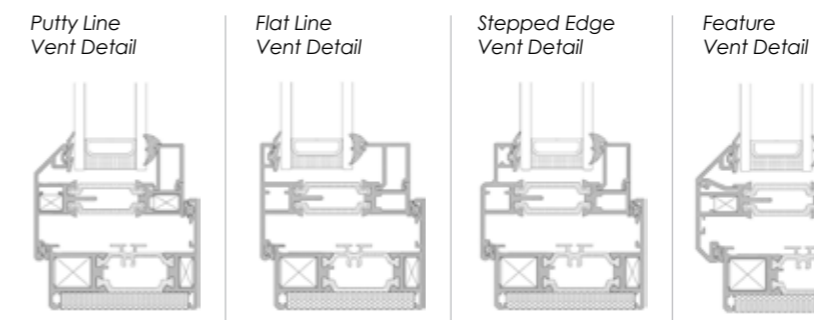


Steel Look Putty Line Vent



Steel Look Stepped Edge Vent

### CAD CROSS SECTIONS AND THERMAL PROFILE



\* Window Energy Ratings and U-Values based on CEN size windows (1230mm x 1480mm) using 1.2 W/m²K double glazing with warm edge Swisspacer V bar. Corresponds to the BRE Global Green Guide online generic specification for domestic windows and achieves a summary rating of B-C. www.thegreenguide.org.uk Element Number 813100001/813100007. Sound insulation values are Rw reduction values and are based on tests using acoustic glazing. Corresponds to the BRE Global Green Guide online generic specification for commercial windows and achieves a summary rating of A+/A-. www.thegreenguide.org.uk Element Number 831500018/831500006. Sound insulation values are Rw reduction values and are based on tests using acoustic glazing.

Please note: NBS Specifications are available for all products and BIM Components for many. Please visit [www.aluk.co.uk](http://www.aluk.co.uk) to download CAD files, BIM Components and NBS Specifications.