

Commercial Casement

Description

Available in a wide range of styles and designs including top, side and bottom hung. Windows can be made to project in or out. The Commercial Casement provides a clean, flat and robust appearance to compliment the buildings overall aesthetics. A vast array of available hardware allows the windows to be fully customised in terms of security, weather and functionality.

Applications

The Commercial Casement range is flexible and versatile and can be specified for a range of applications including:

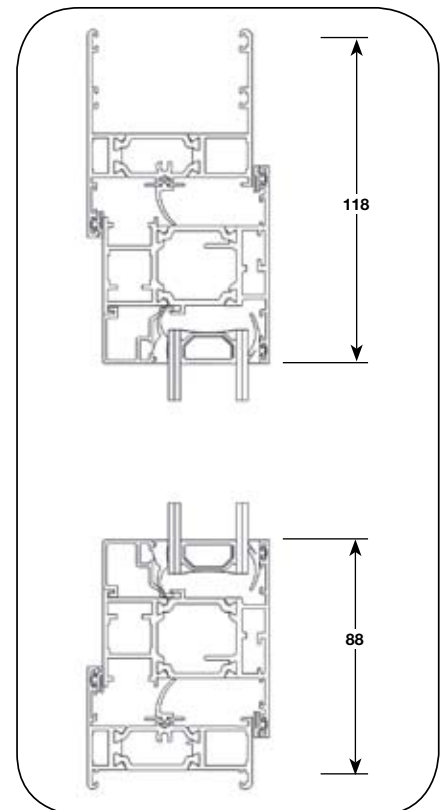
- New build or refurbishment projects
- Light, Medium and heavy duty commercial
- Hotels, office blocks, schools and industrial buildings
- Low, medium and high rise

Design Features

- Secured By Design Licensed
- Kite marked to BS4873 & BS7950
- Internally beaded for ease of site glazing on high-rise applications
- Matches the sightline details of the Commercial TBT window
- Designed with a traditional Euro groove to accommodate standard locking hardware
- Integrated deep head profiles for ease of trickle ventilation



- Unique polyamide thermal break design to improve thermal performance
- Dedicated fixing straps for ease of installation
- Superior thermal performance
- Complies to Part L using standard hard coat glazing
- A clean, flat appearance to give true contemporary aesthetic
- Window Energy Rating C-G using varying standard glass specifications
- Dual colour capability for variations internally and externally
- 58mm or 70mm frame depth to accommodate varying types of applications
- Can accommodate 24mm - 44mm Sealed Units for thermal and acoustic performance
- Fully compatible with the entire Beaufort Product Range



WINDOW ENERGY RATING



U VALUE W/m^2K



AIR PERMEABILITY



WATER TIGHTNESS



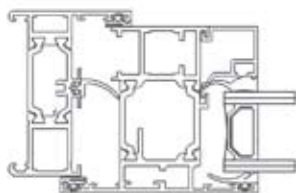
WIND RESISTANCE



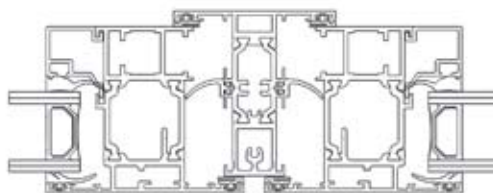
KITEMARK BS7950 / BS4873



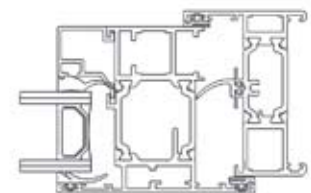
SECURED BY DESIGN



88



147



88