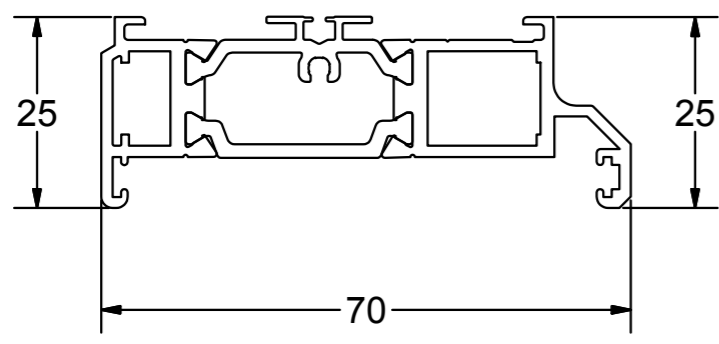
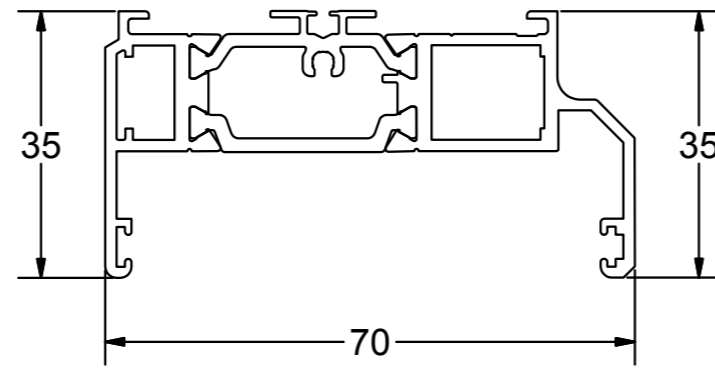


Outer Frames

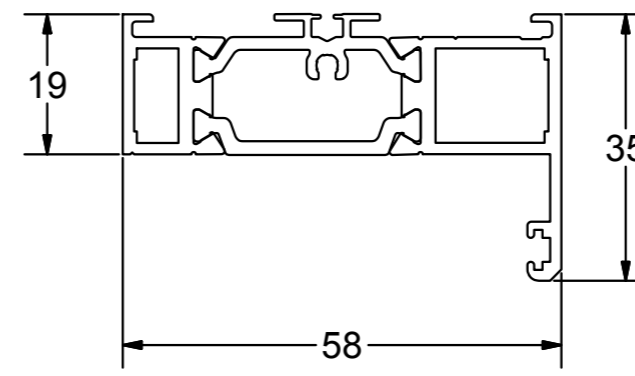
AW650
D/B Direct Fix Slim Frame



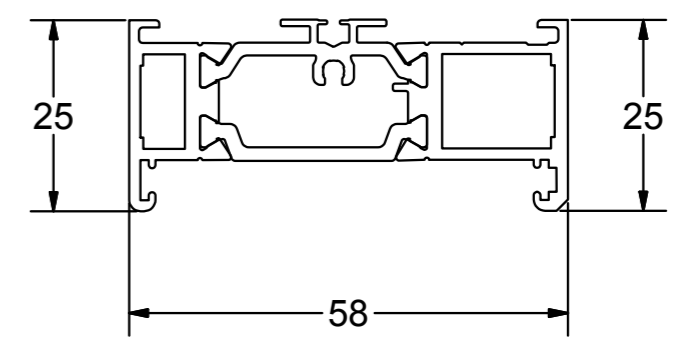
AW651
D/B Direct Fix Standard Frame



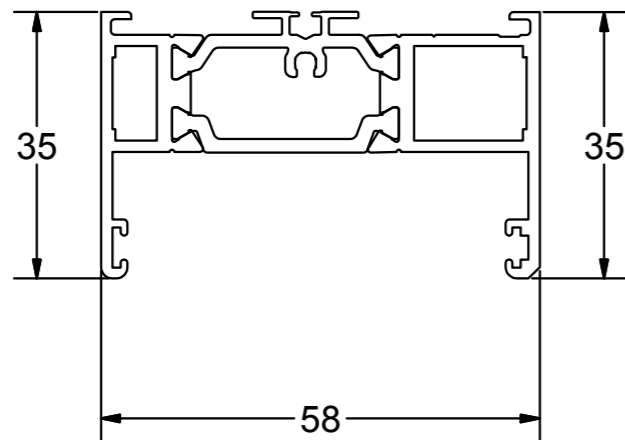
AW653
D/B Odd Leg Frame



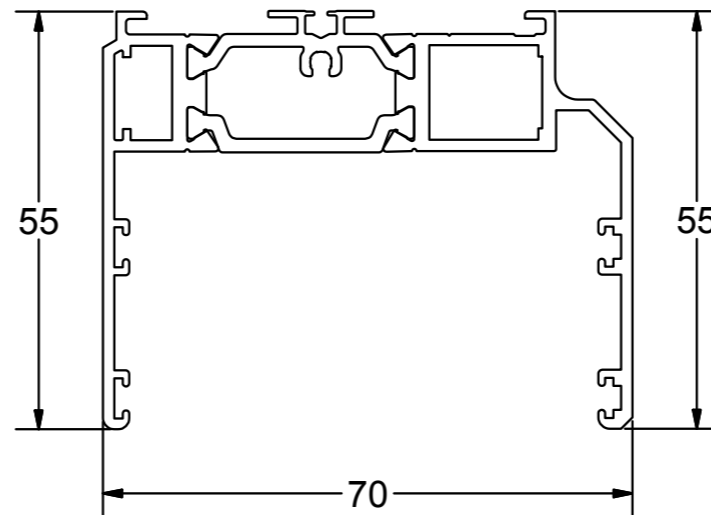
AW654
D/B Equal Leg Slim Frame



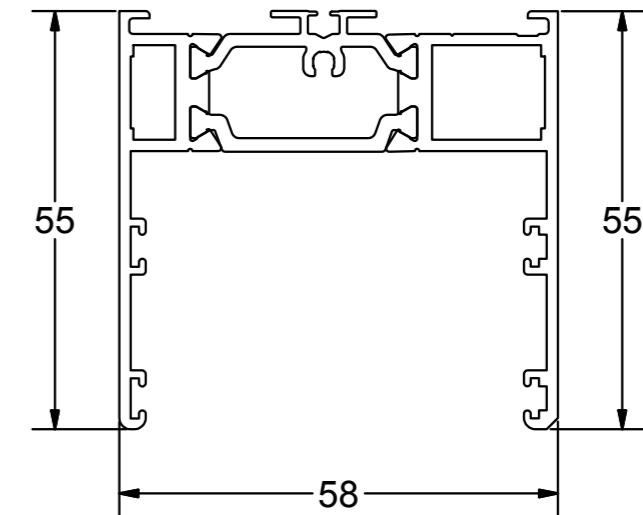
AW655
D/B Equal Leg Standard Frame



AW656
D/B Direct Fix Deep Frame

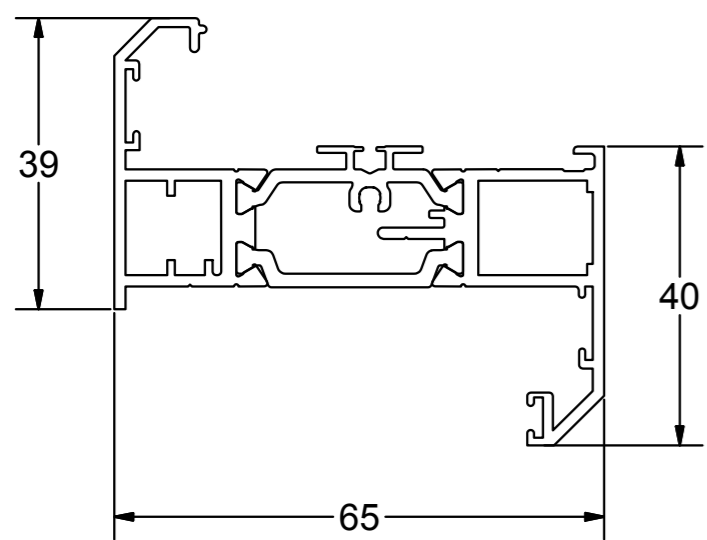


AW657
D/B Direct Fix Deep Equal Leg Frame

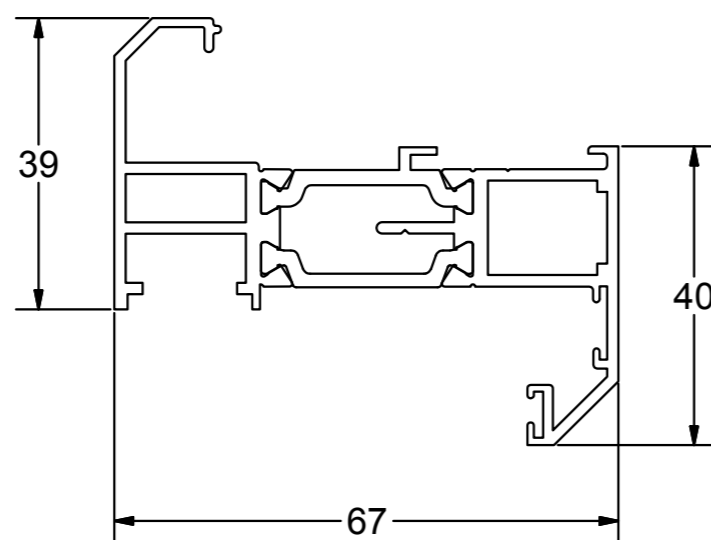


Vents

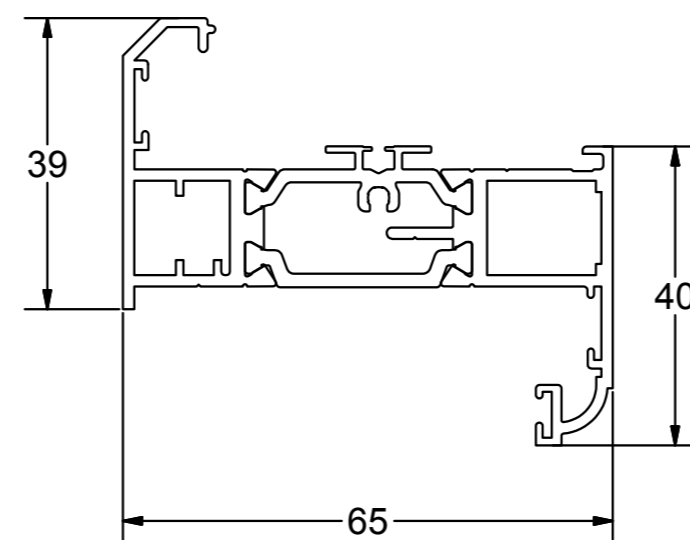
AW610
Ext Glazed Feature Vent



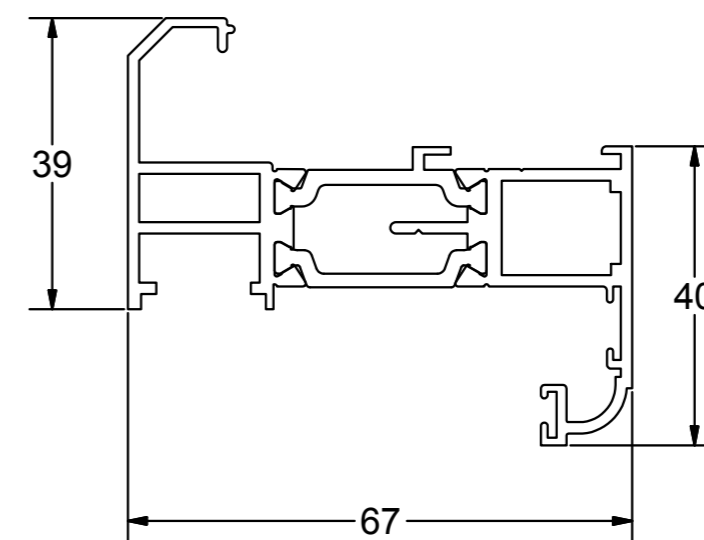
AW611
Ext Glazed Euro Feature Vent



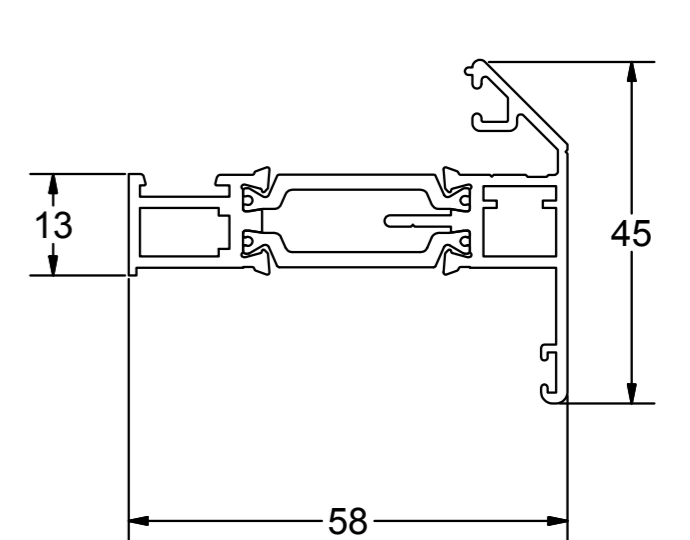
AW612
Ext Glazed Ovolo Vent



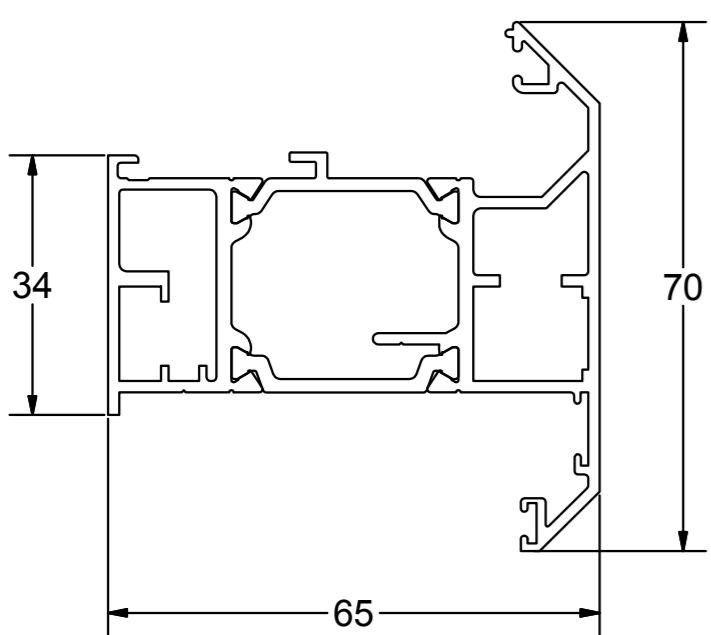
AW613
Ext Glazed Euro Ovolo Vent



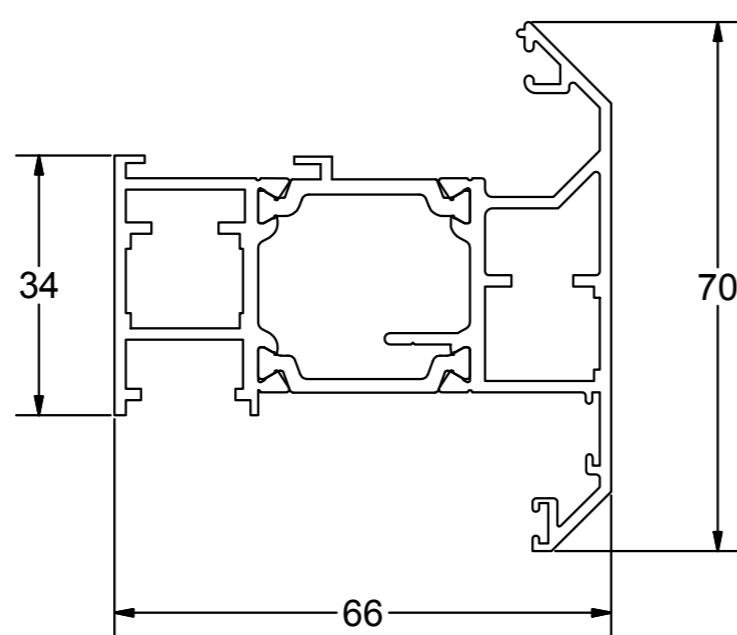
AW614
Int Glazed Flat Vent



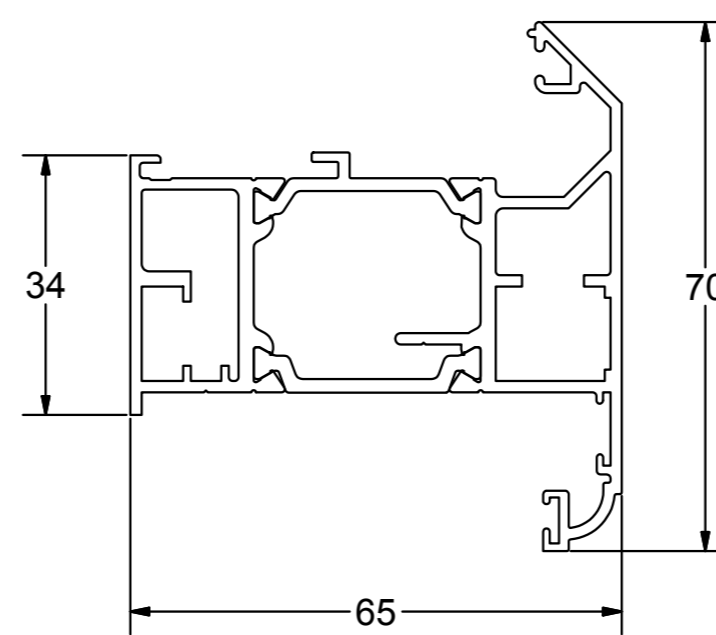
AW615
Int Glazed Feature Vent



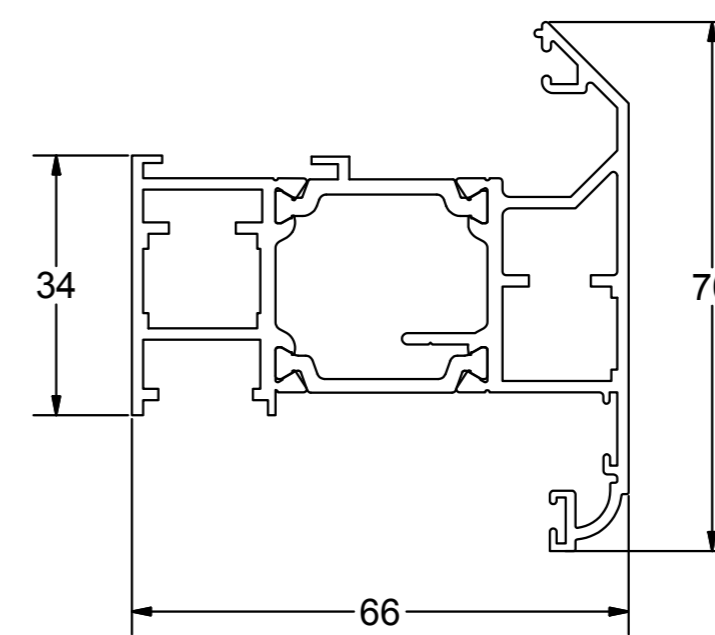
AW616
Int Glazed Euro Feature Vent



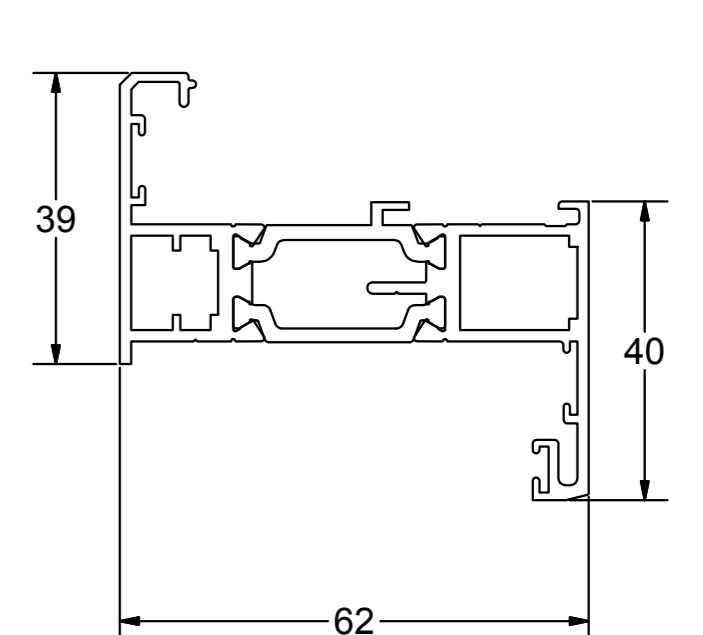
AW617
Int Glazed Ovolo Vent



AW618
Int Glazed Euro Ovolo Vent

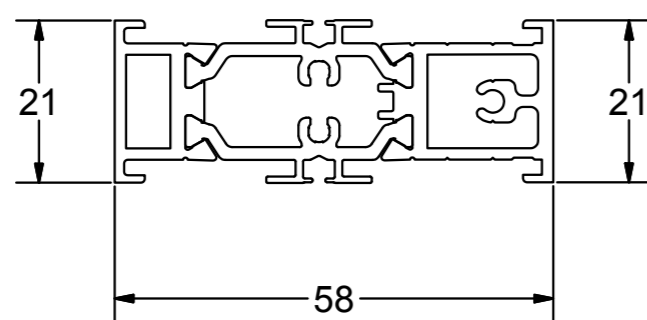


AW624
Ext Glazed Flat Vent

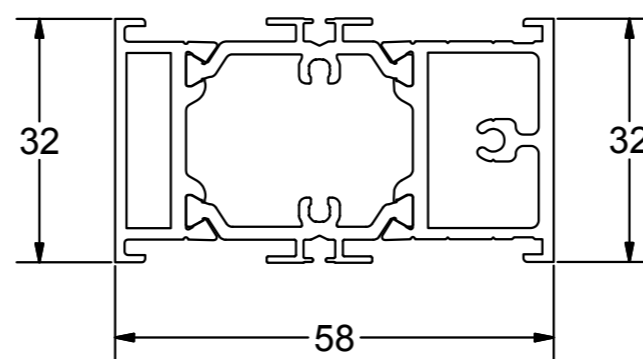


Transoms / Mullions & Beads

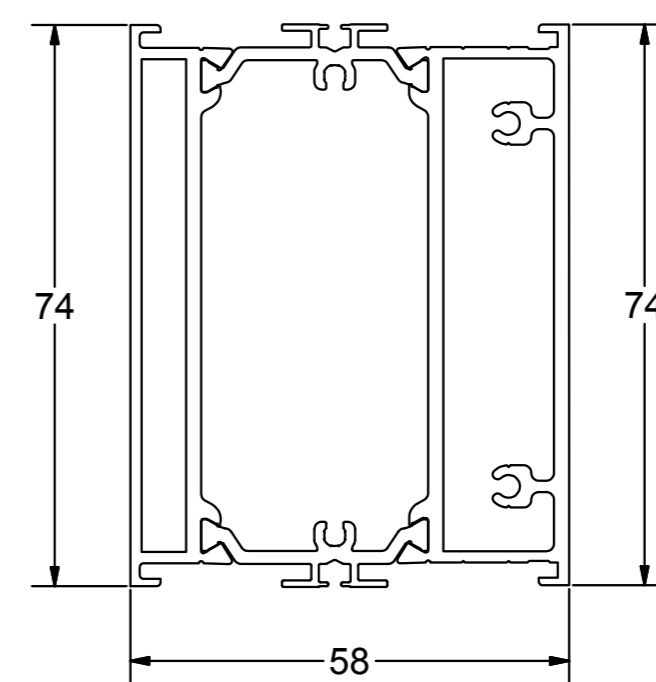
AW641
D/B Slim Flat Mullion / Transom



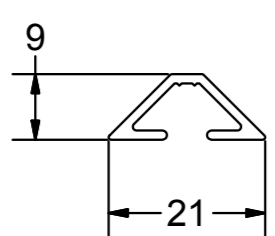
AW643
D/B Wide Flat Mullion / Transom



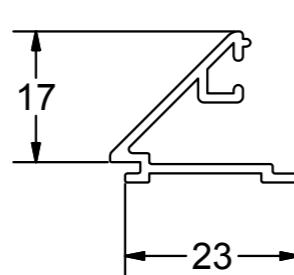
AW644
D/B Window Midrail



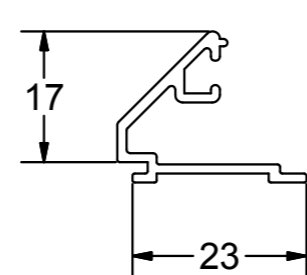
TW149
Georgian Bar



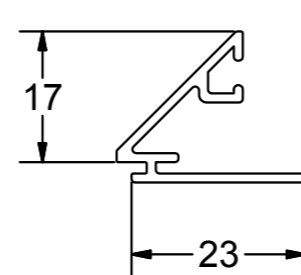
AW513
28mm Bead



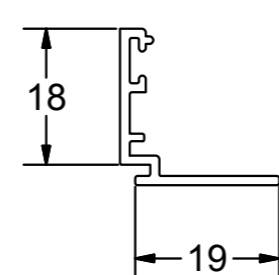
AW514
32mm Bead



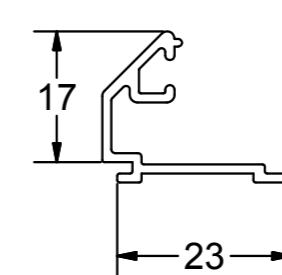
AW517
Fixed Glazing Bead



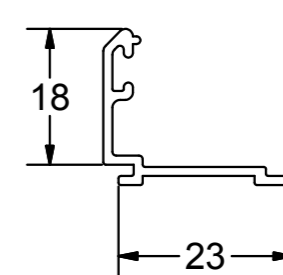
AW661
Rebate Bead



AW665
36mm Bead



AW666
44mm Bead



SECTION IDENTIFICATION CHART - NOT TO SCALE - NOVEMBER 2008 - 1

For more information please contact the Beaufort Technical Department on: 01633 29 40 40

Tel: 01633 29 40 40 Fax: 01633 29 40 41

www.beaufortsecure.com