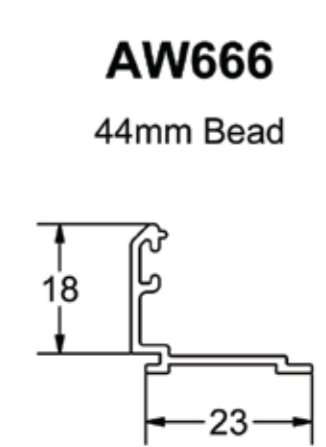
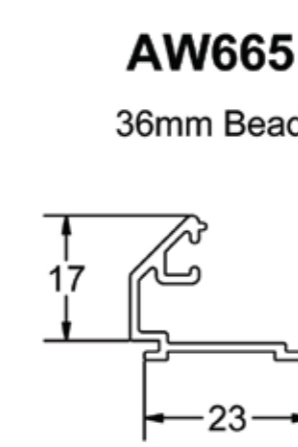
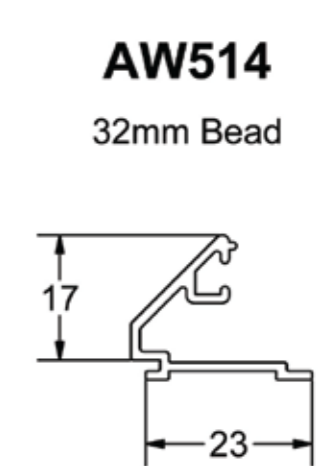
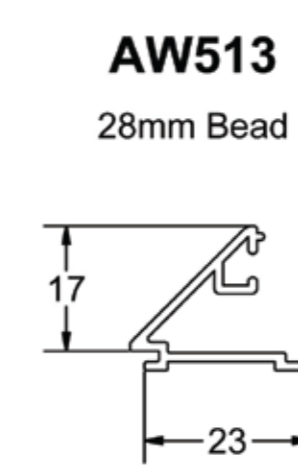
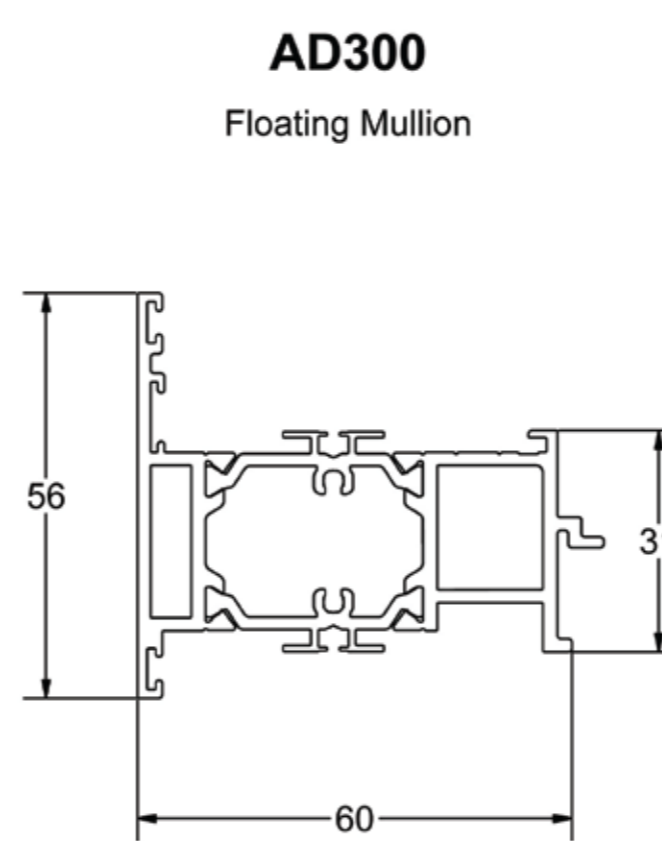
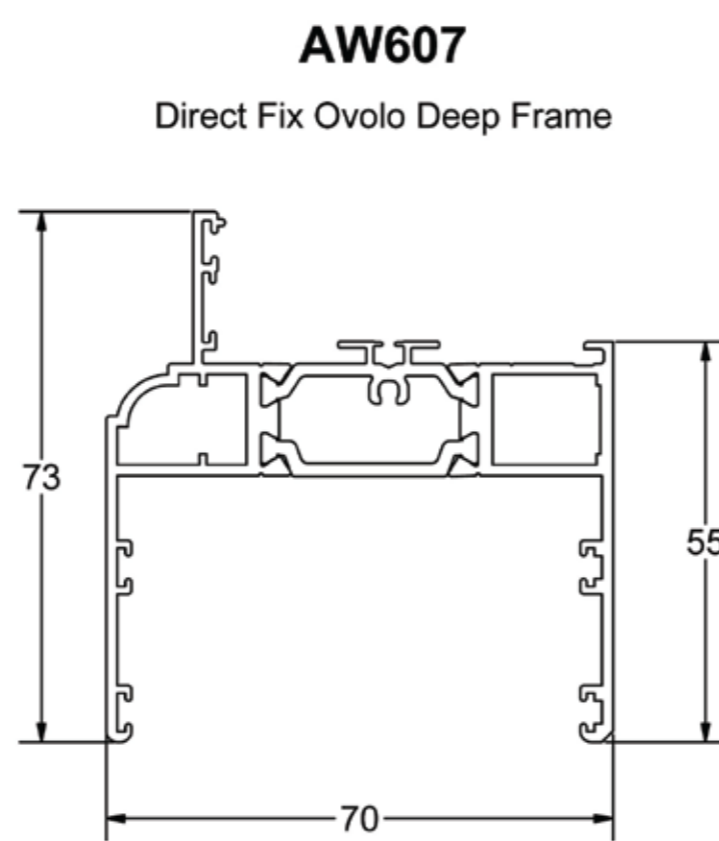
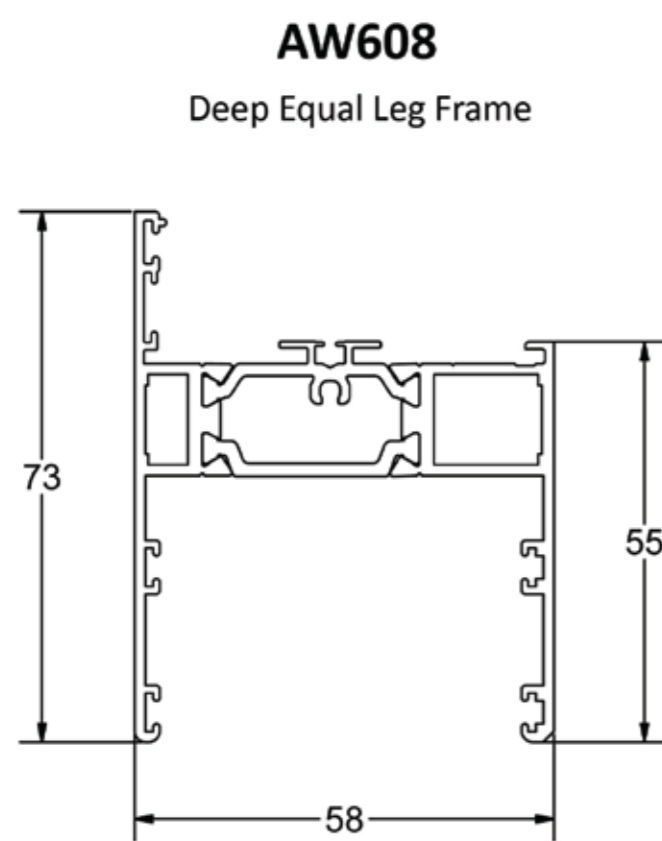
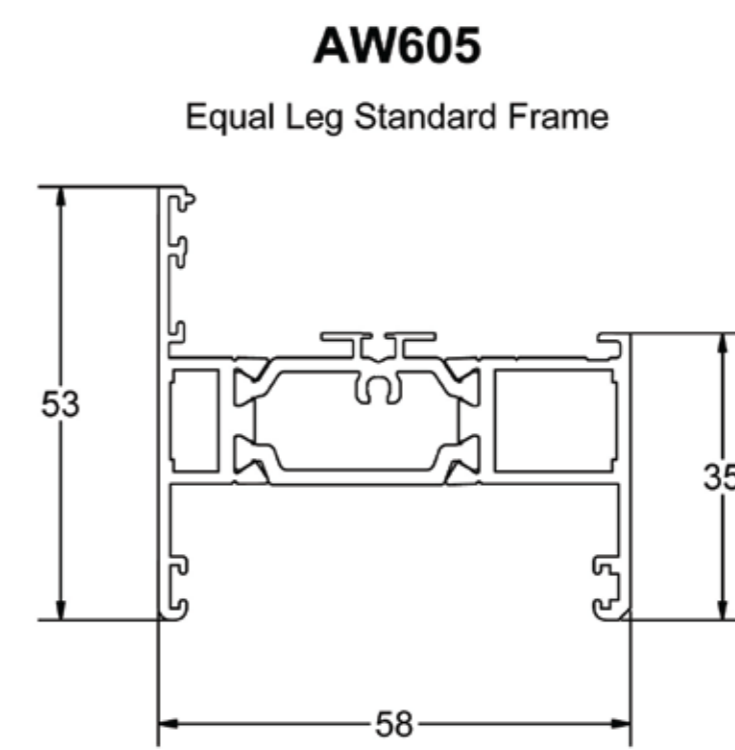
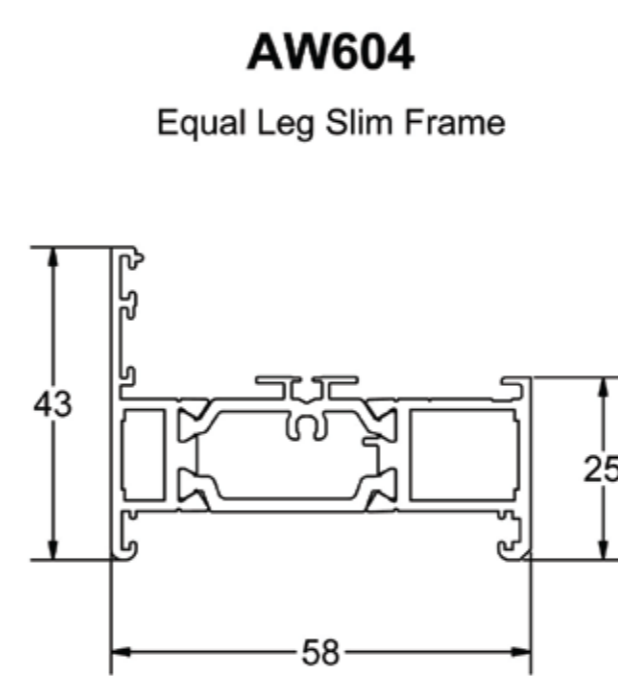
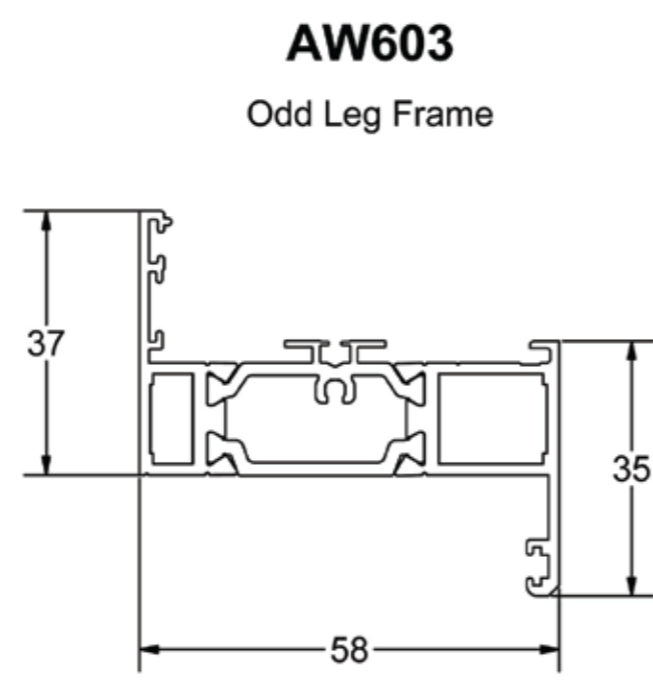
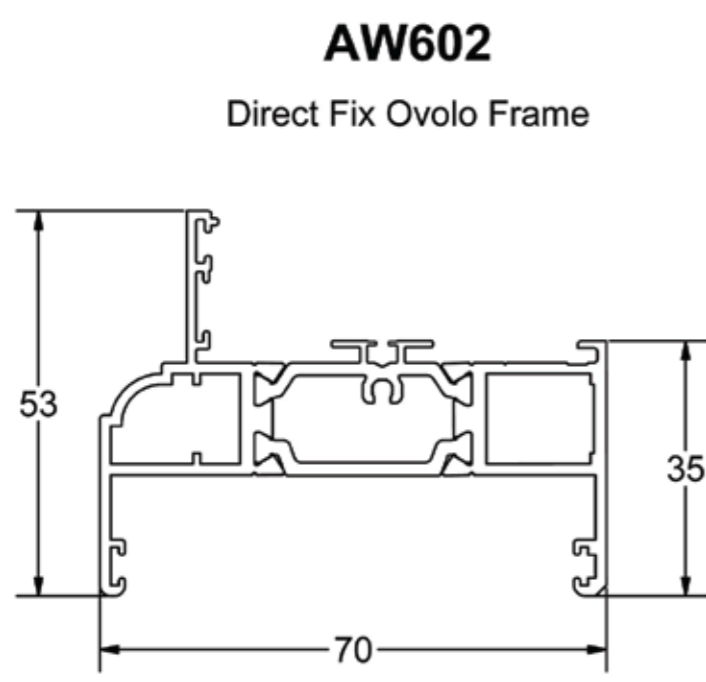
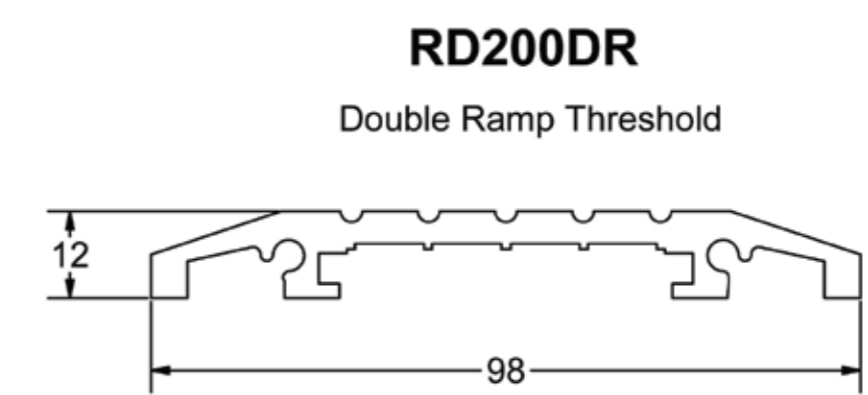
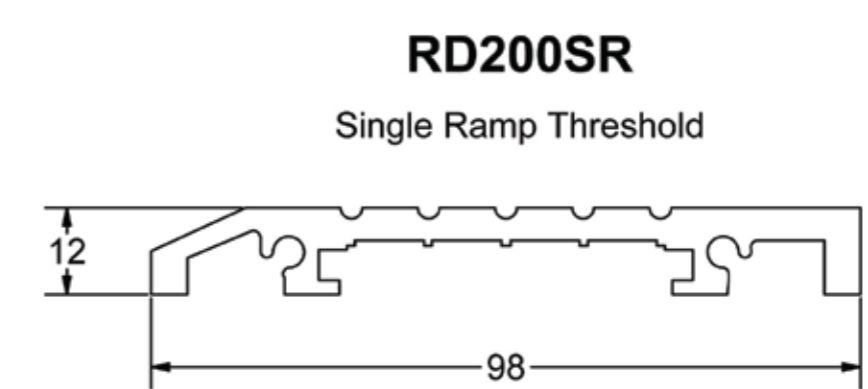
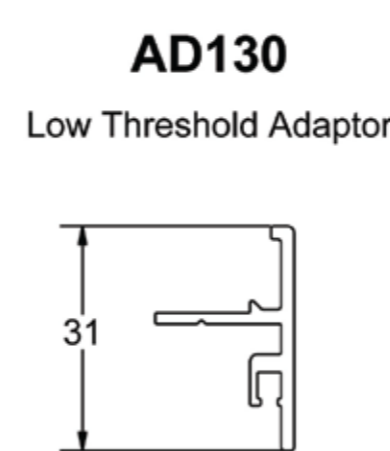
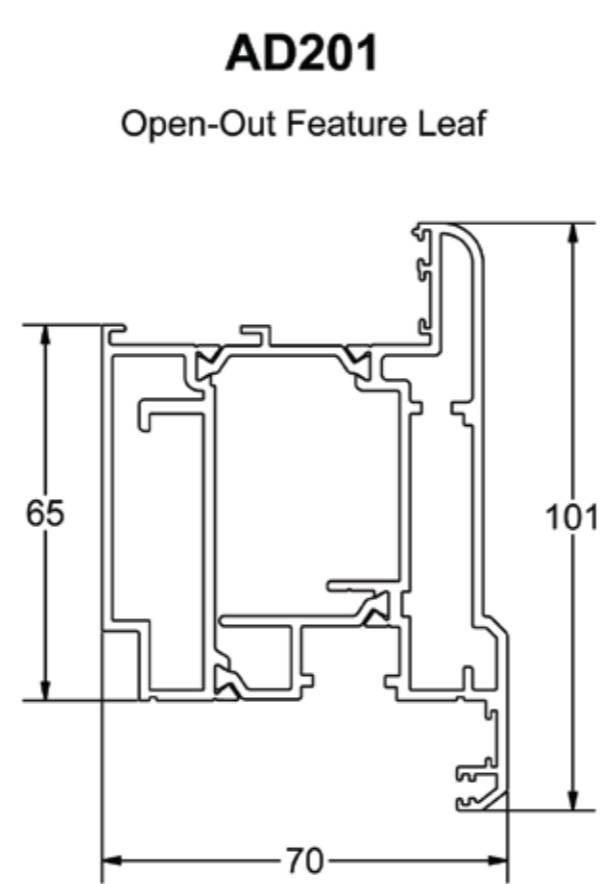
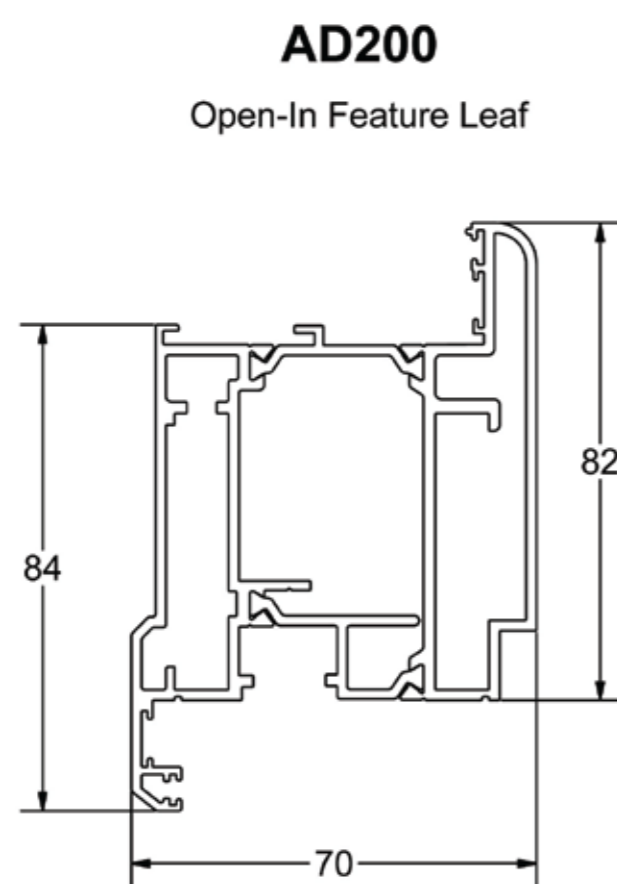


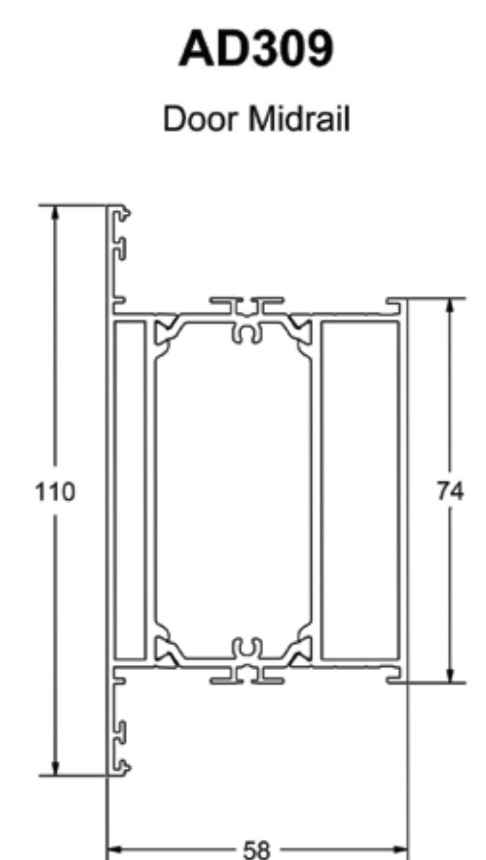
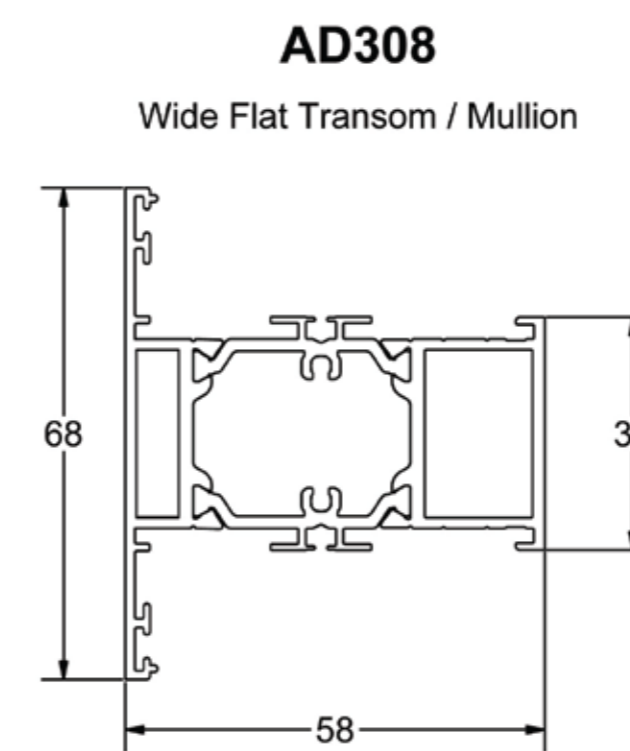
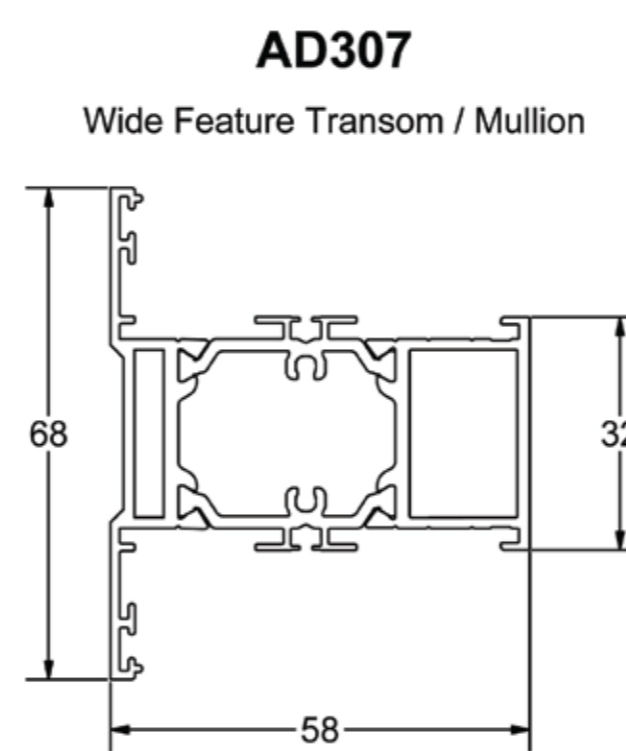
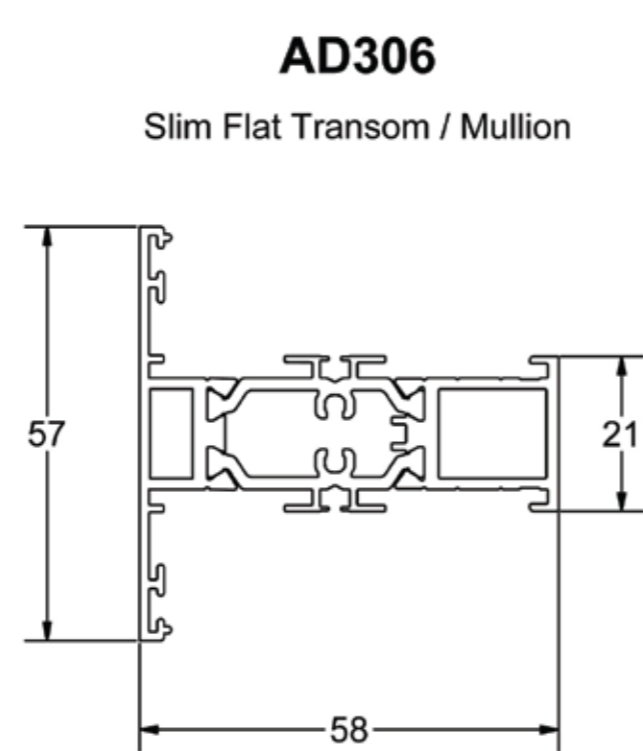
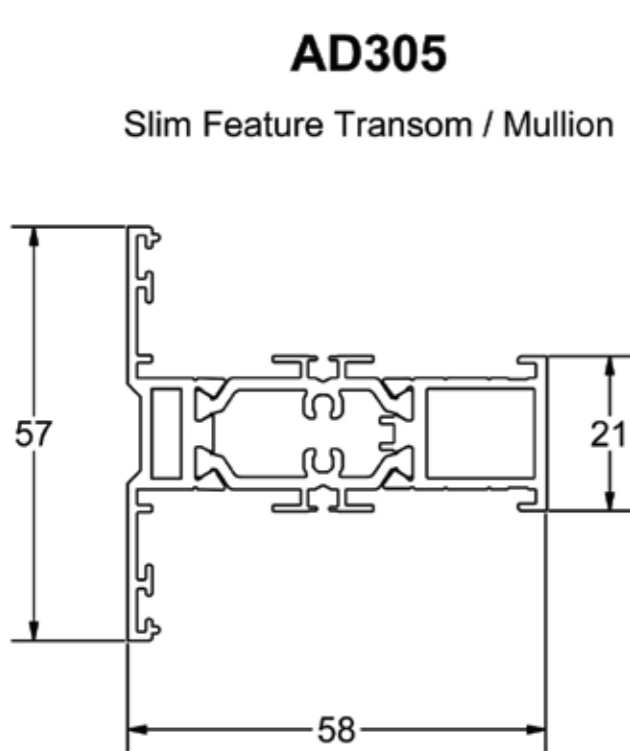
## Outer Frames & Beads



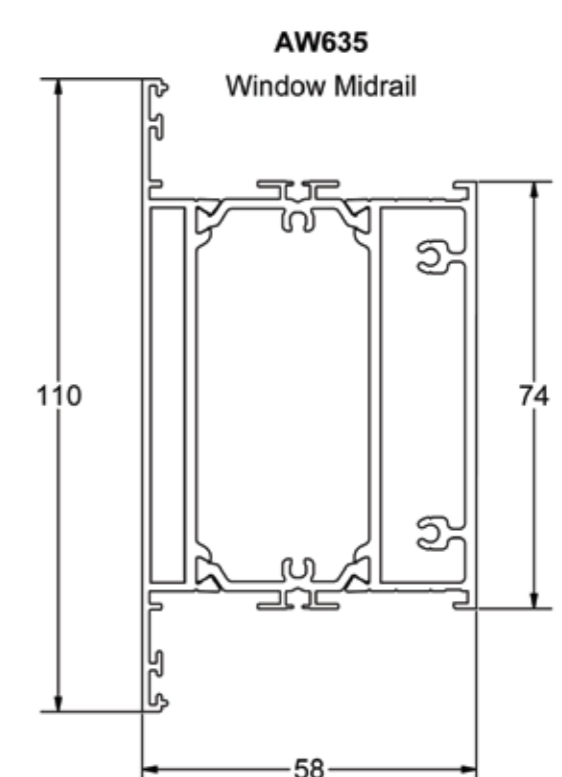
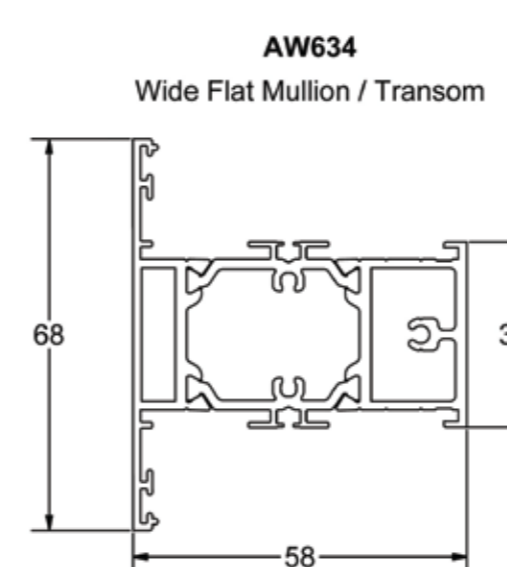
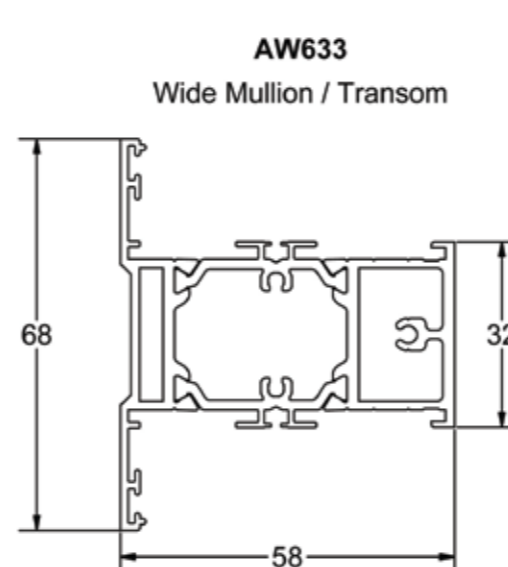
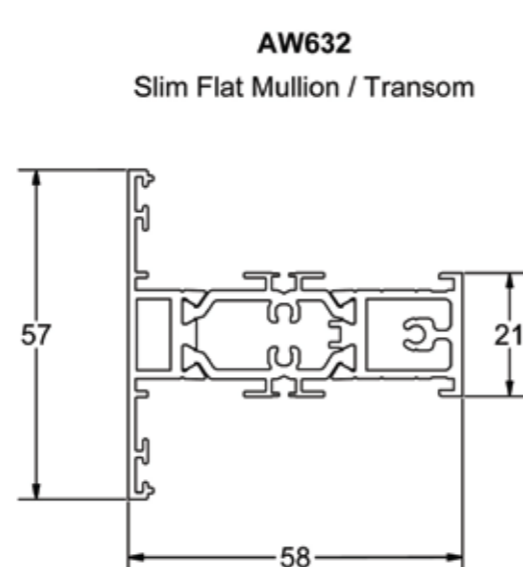
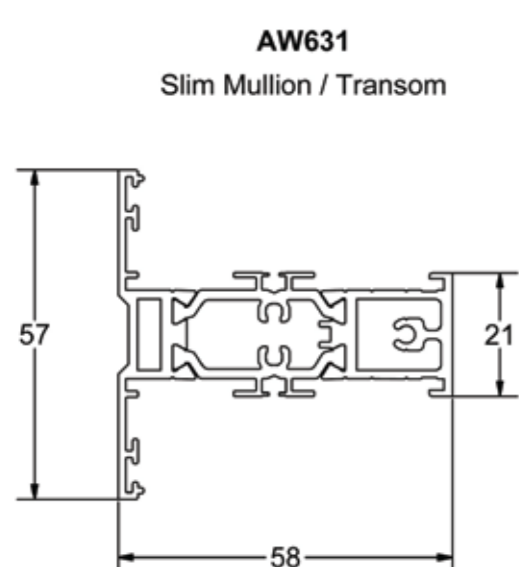
## Sashes, Thresholds & Adaptors



## Transoms/Mullions & Midrails (Mechanical)



## Transoms/Mullions & Midrails (Screw Fix)



SECTION IDENTIFICATION CHART - NOT TO SCALE - NOVEMBER 2008 - 1

For more information please contact the Beaufort Technical Department on: 01633 29 40 40

Tel: 01633 29 40 40 Fax: 01633 29 40 41

[www.beaufortsecure.com](http://www.beaufortsecure.com)