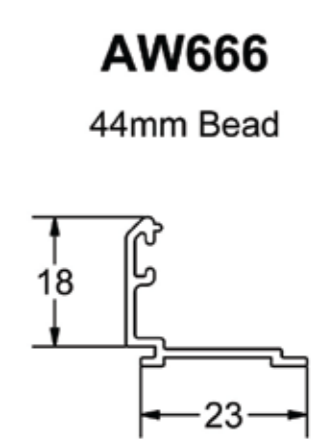
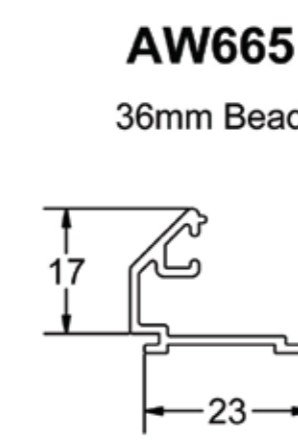
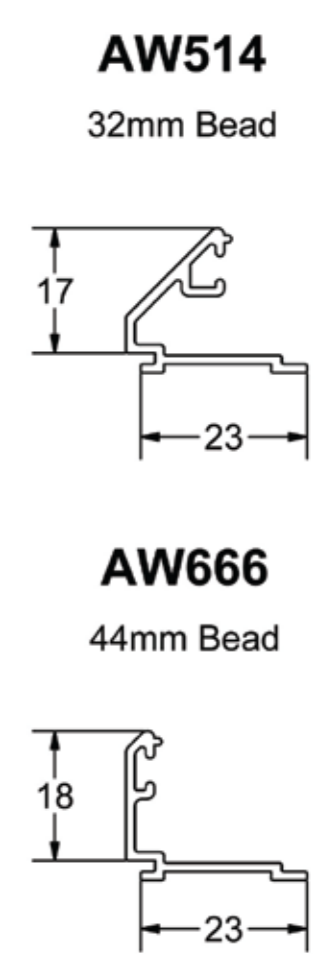
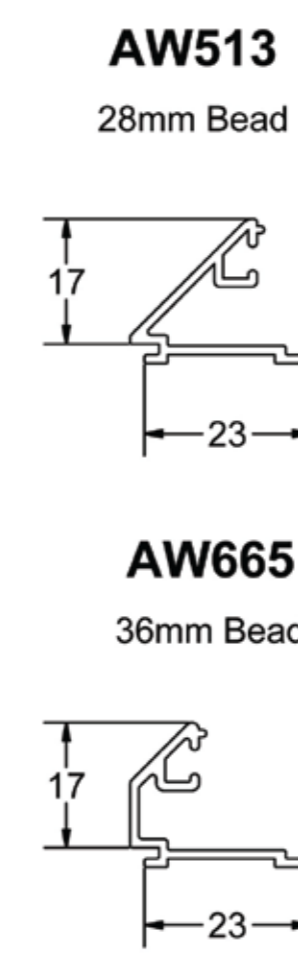
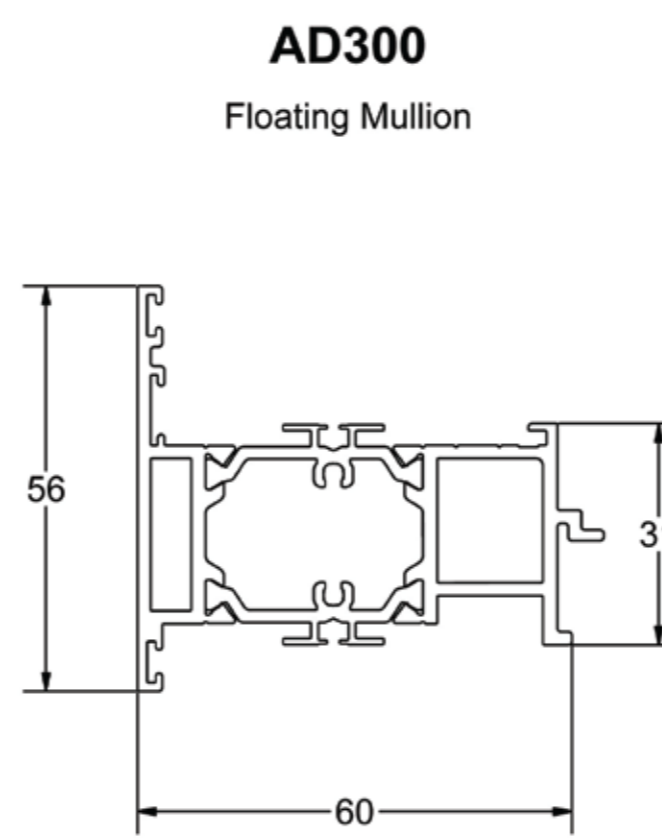
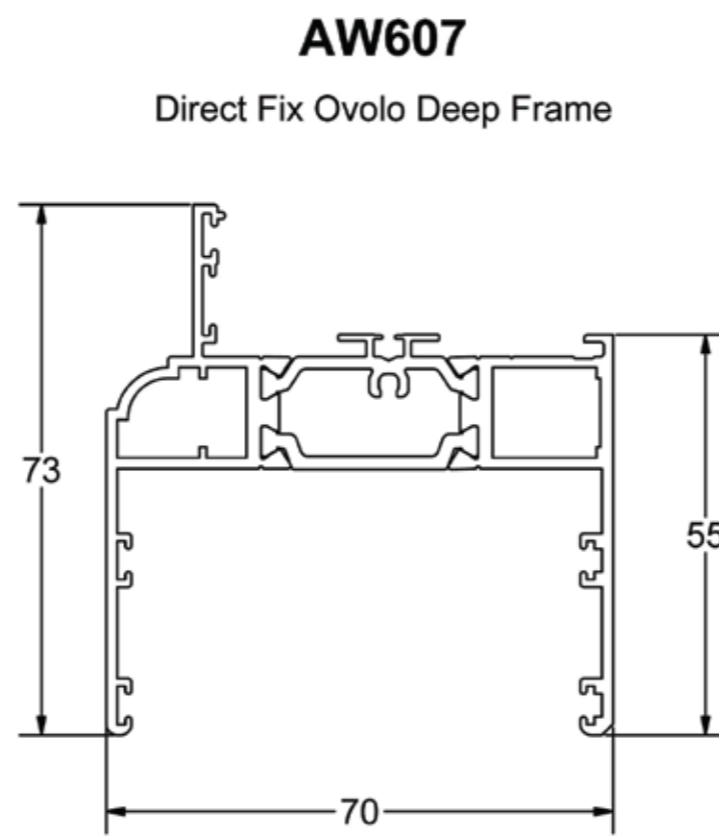
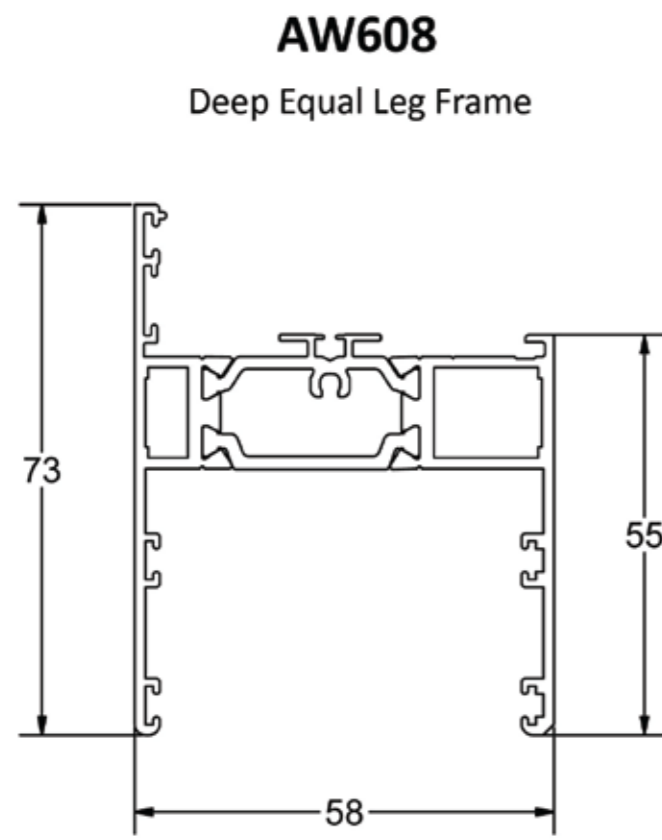
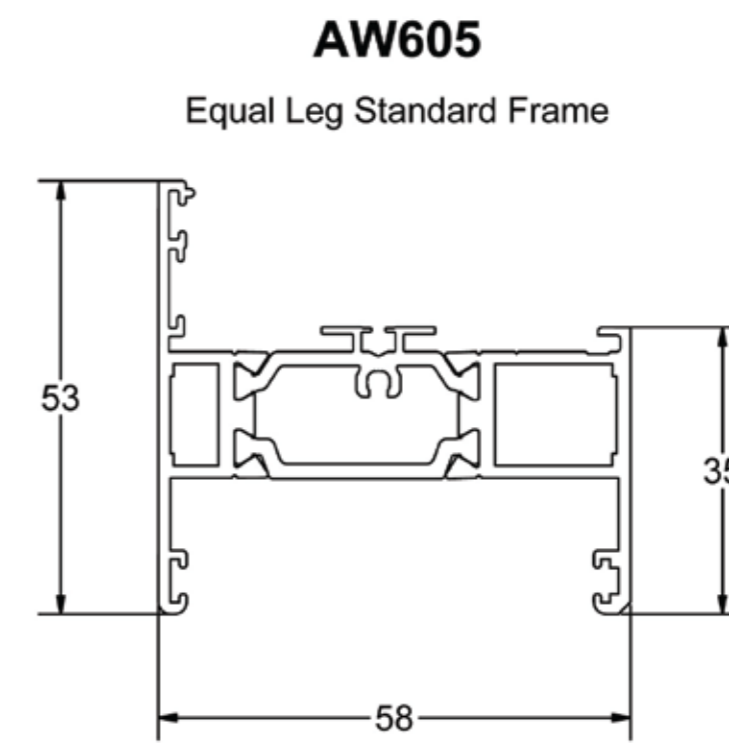
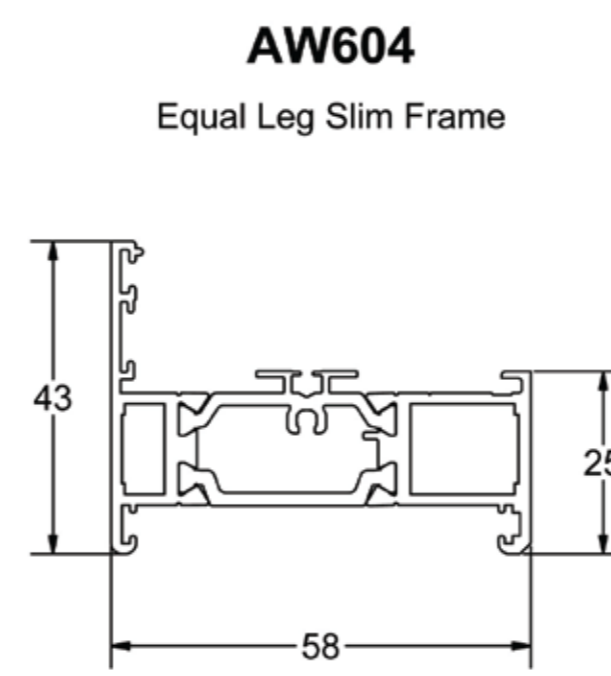
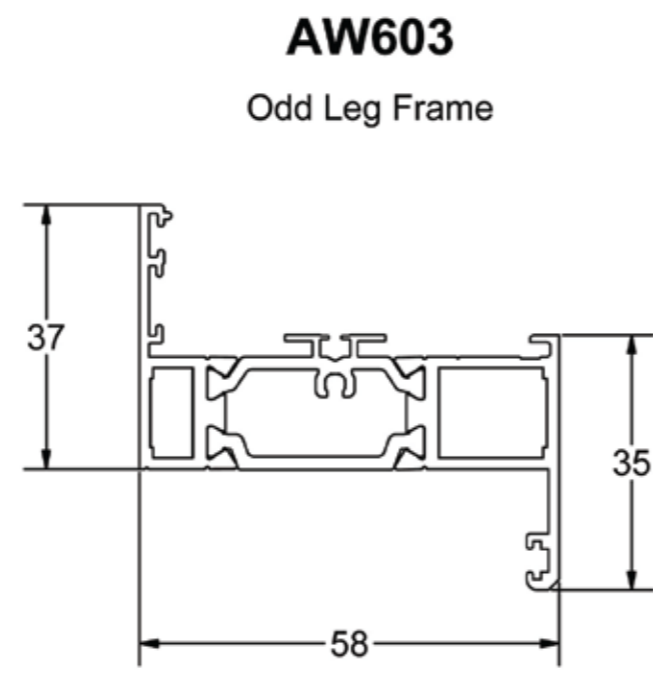
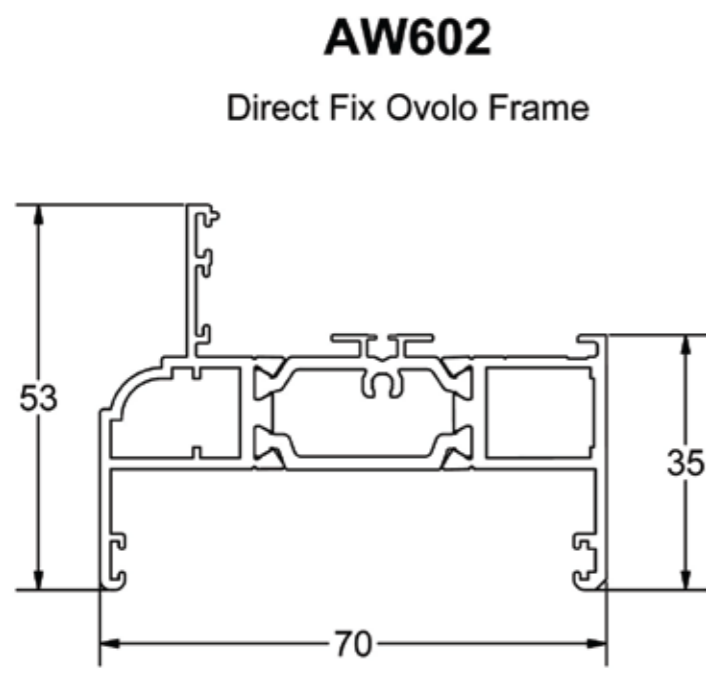
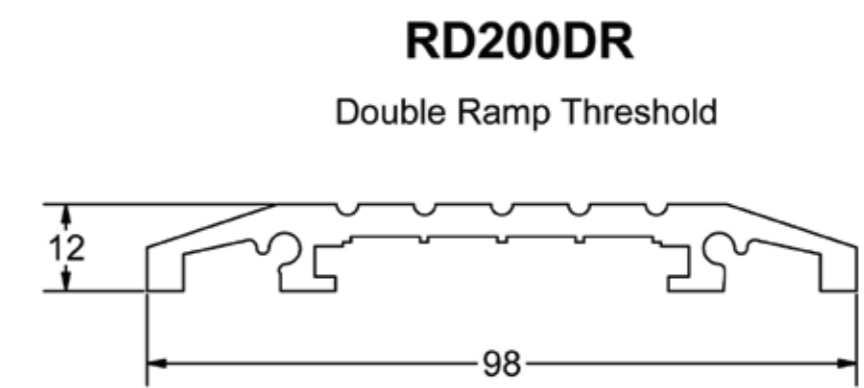
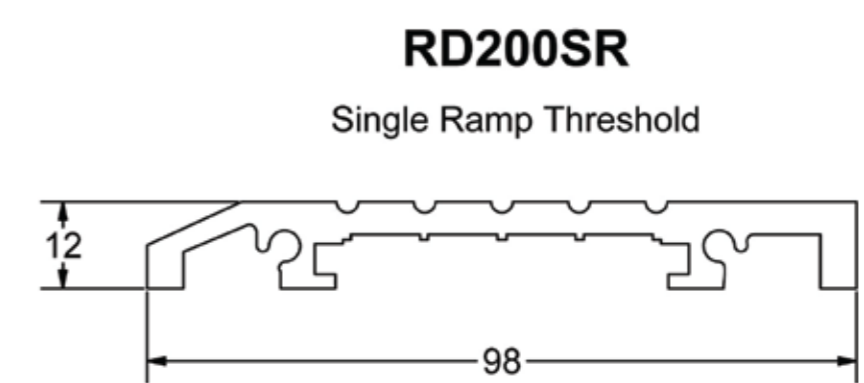
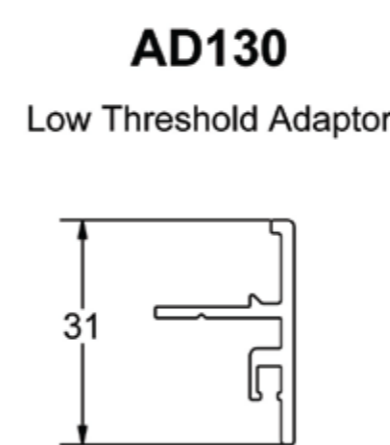
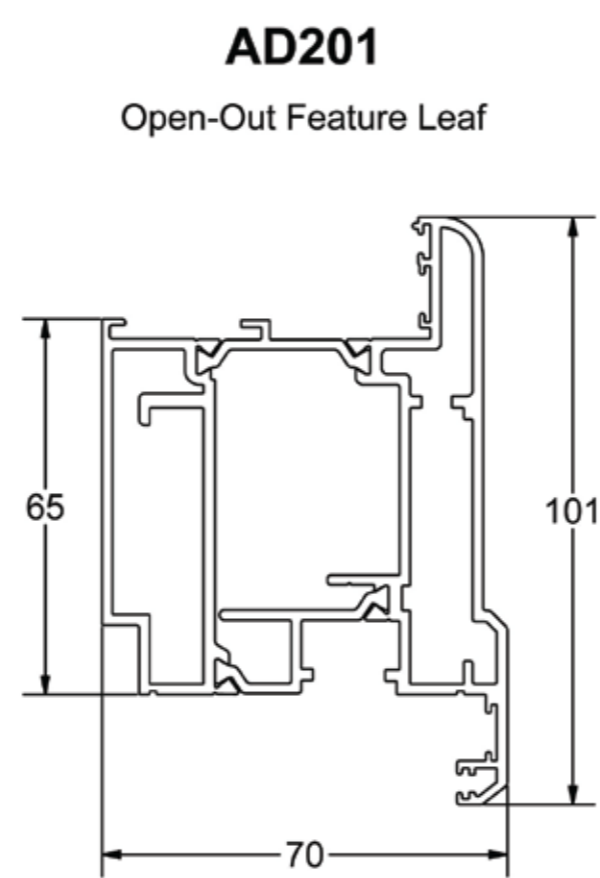
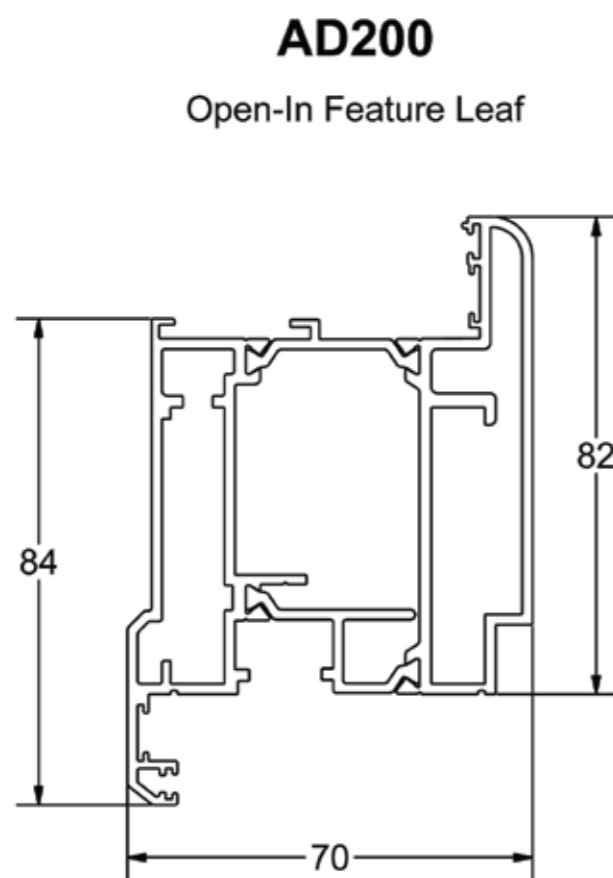


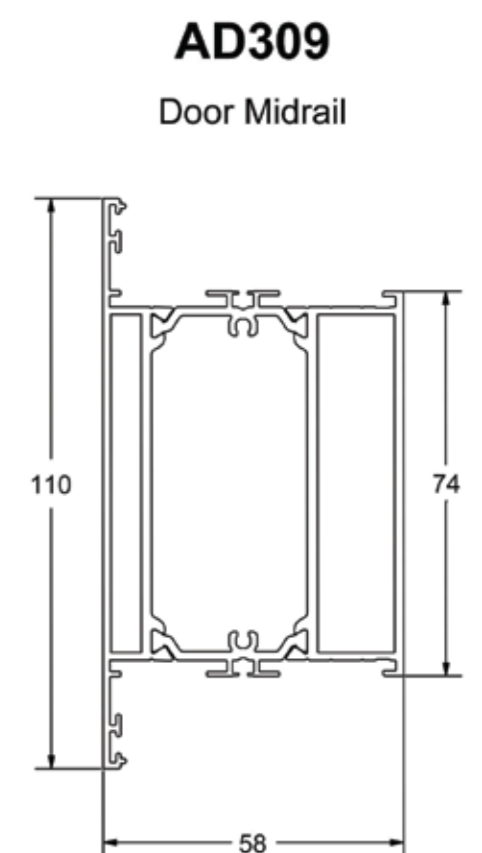
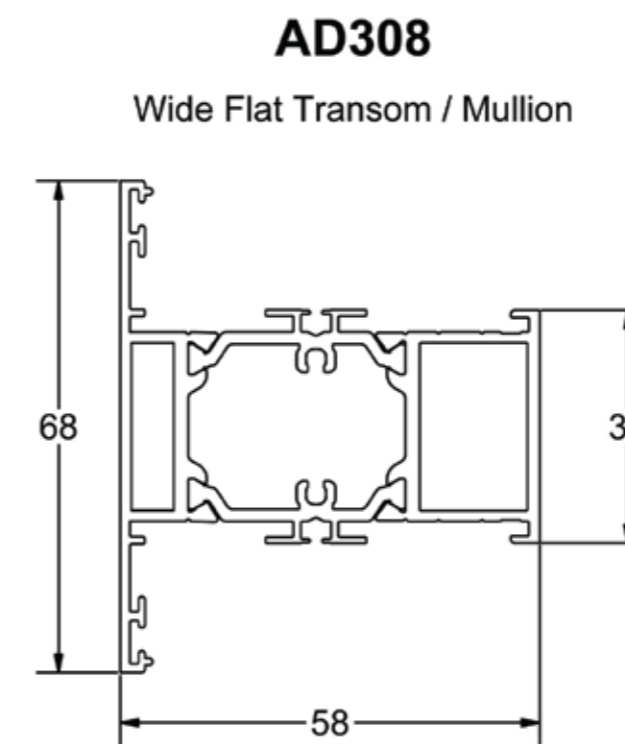
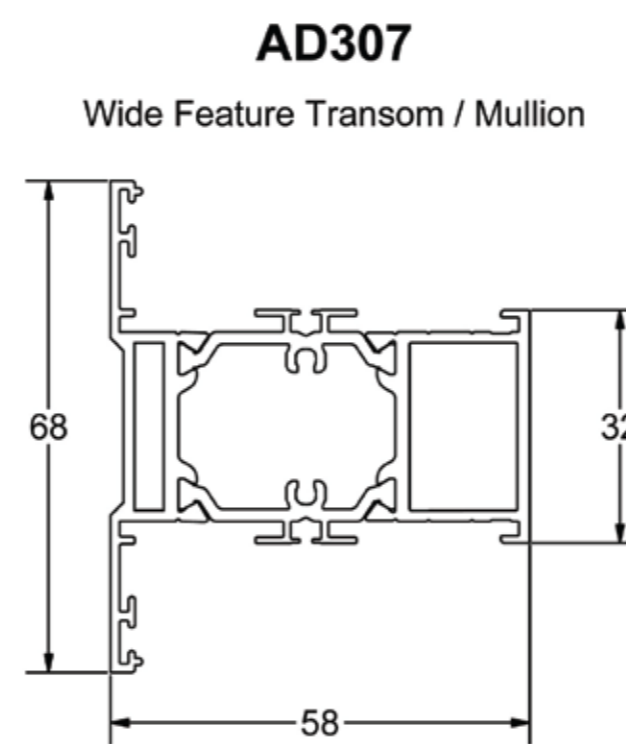
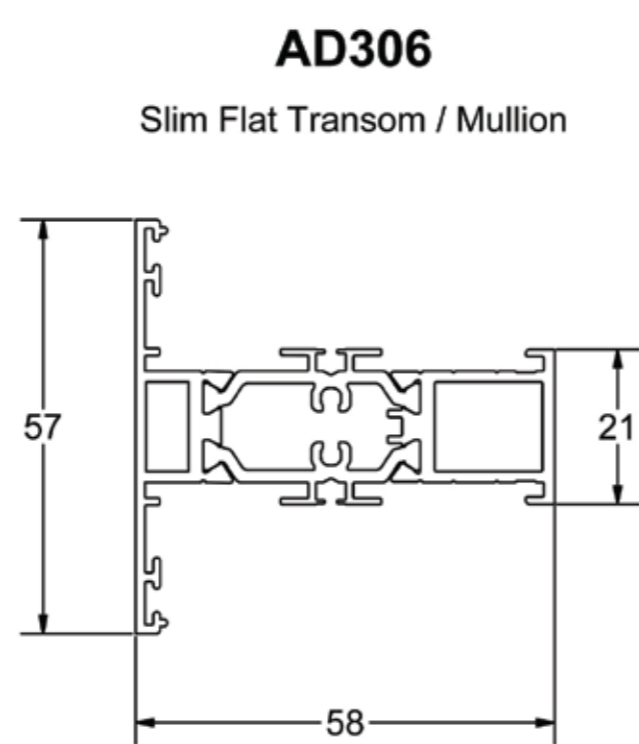
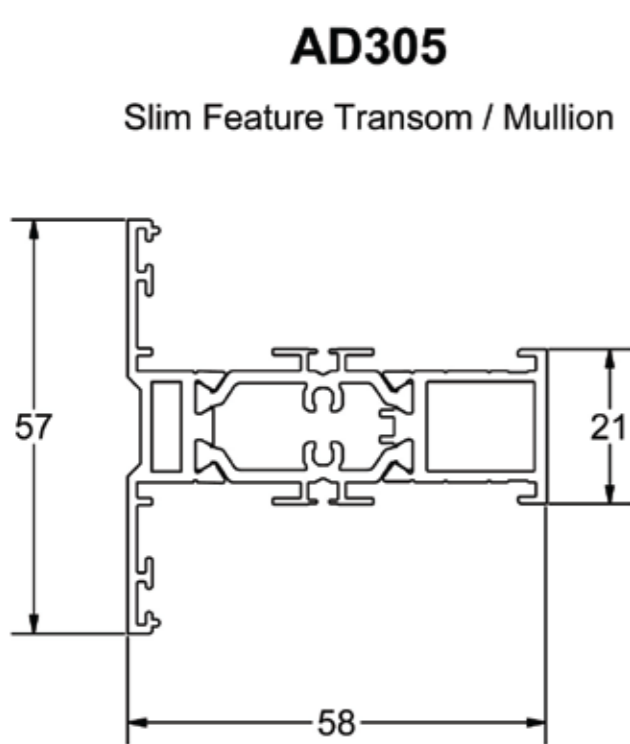
Outer Frames & Beads



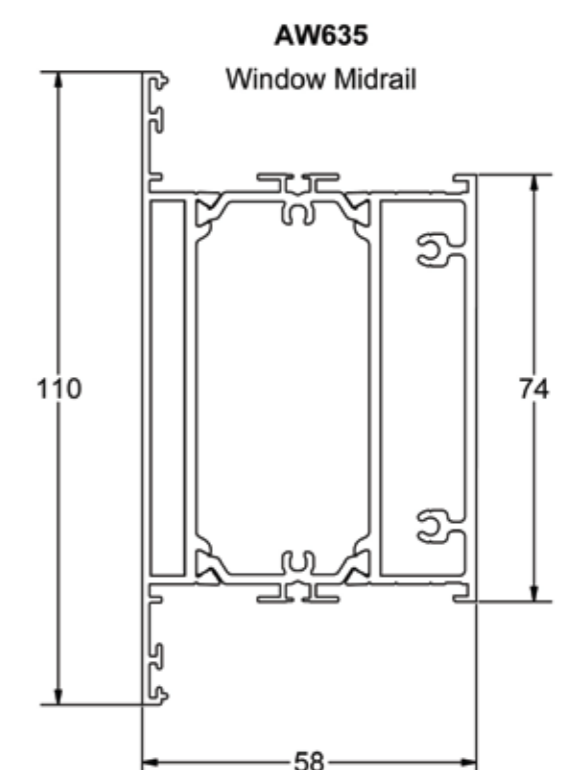
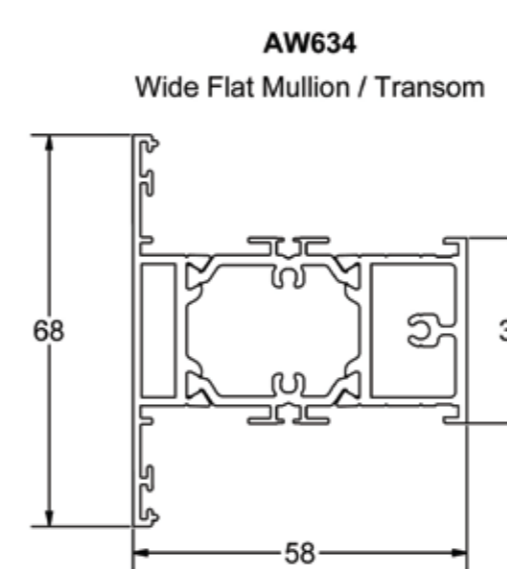
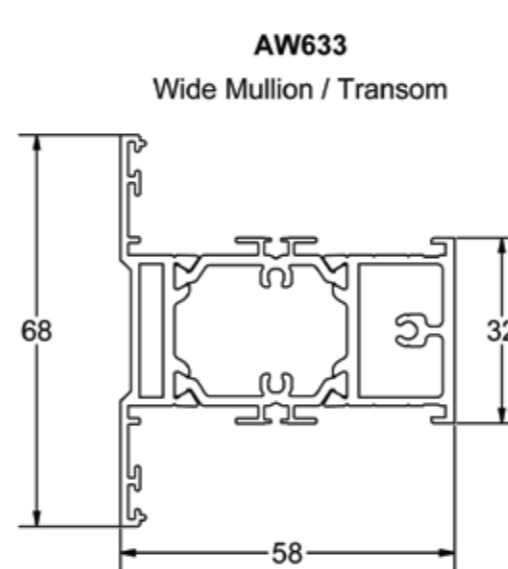
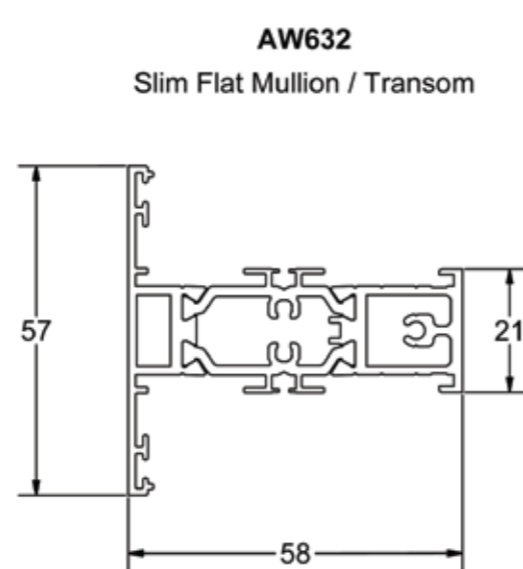
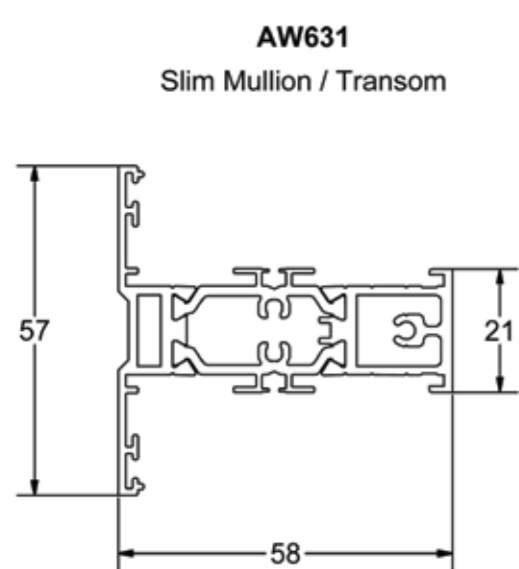
Sashes, Thresholds & Adaptors



Transoms/Mullions & Midrails (Mechanical)



Transoms/Mullions & Midrails (Screw Fix)



SECTION IDENTIFICATION CHART - NOT TO SCALE - NOVEMBER 2008 - 1

For more information please contact the Beaufort Technical Department on: 01633 29 40 40

Tel: 01633 29 40 40 Fax: 01633 29 40 41

www.beaufortsecure.com